

mSwing

Swing doors



The versatile gate for entrances, wide passageways and escape routes

The mSwing swing door is our specialist in versatility! This starts at the entrances: mSwing is used wherever passage is authorised by staff at a gate or reception desk. Either as a single or a double swing door, depending on the number of visitors expected. It is not only the right choice for the monitored access of visitors, but also for visitors with baggage and for those delivering materials. Its wide barrier elements also make it ideal for wheelchair access.

Thanks to the mPost card-reader pillar, operators can also provide passage using card-reading devices. mSwing, however, is particularly important for setting up escape routes. It is always used whenever many people are present in a building at the same time and appropriately wide escape routes are required. With its passageway width of up to 2400 mm as a double door, and automatic opening if there is a power outage or alarm signal, mSwing also ensures safe paths out of the building in emergency situations.



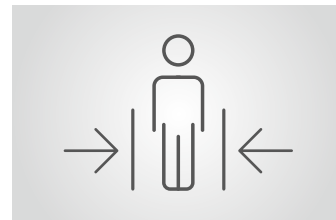
Free escape routes

The swing doors allow free passage in the case of a power outage, and a defined position can be set up for when there is an emergency signal. The barrier elements automatically return to the closed position after removal of the alarm contact or the return of electricity.



Comfortable passage

The smoothly operating motor drive makes the access process particularly comfortable, and its sensitive impact detection ensures maximum user safety.



Secure access control

Interlocking in the closed state (optional) prevents any forced entry.



Rapid installation

Our pedestrian gates are supplied ready for installation. All the selected options have already been installed, and the corresponding parameters preset, before delivery to the point of use. This, and the drilling templates, considerably shorten commissioning times.

ACCESS

AFC

IMMIGRATION

BOARDING

mSwing



Swing doors






- > As single or double doors for visitor entrances, passage with baggage, transport routes and wheelchair-friendly access
- > For unobstructed escape routes in emergencies
- > Compact accommodation of drive and control systems in the centre column
- > Low impact forces for maximum personal safety
- > Designed for 10,000,000 opening and closing cycles



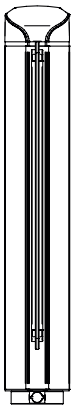
Technical data	mSwing
Application	Indoor and outdoor
Passage width	Standard: 1000 mm Wide Lane: 1200 mm (more on request)
Barrier element height	Standard: 994 mm (more on request)
Opening/closing time	2,0–5,5 s, depending on barrier element dimensions
Opening angle	Adjustable from 0 – ±300°
Drive technology	MHTM™
Control system	MGC
Voltage	100–240 V AC, 50/60 Hz
Power consumption	Maximum 45 W
Duty cycle	100%
Housing material	Aluminium
Housing height	1092 mm
Housing diameter	Maximum 183 mm
Enclosure rating	IP 54
Weight	About 40 kg (without blocking element)
Temperature range	-30 to +55 °C

Features	
Direction of passage	Uni- or bi-directional
Emergency release	Can be parameterised: fixed position or freely turning
Control system inputs and outputs	8 digital inputs, 4 digital outputs, and 6 relay outputs
Configuration	Via USB interface from external

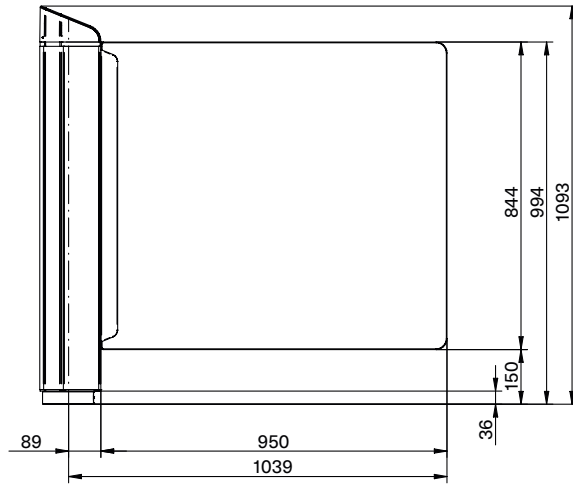
Standard colours	
	
White aluminium (similar to RAL 9006)	Jet black (similar to RAL 9005)

Potential applications				
				

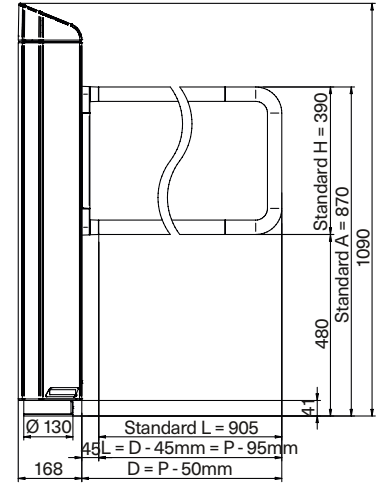
mSwing – side view



mSwing – front view



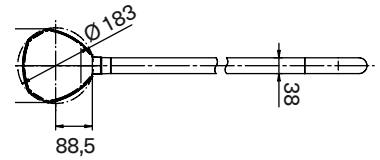
mSwing with U bar – front view



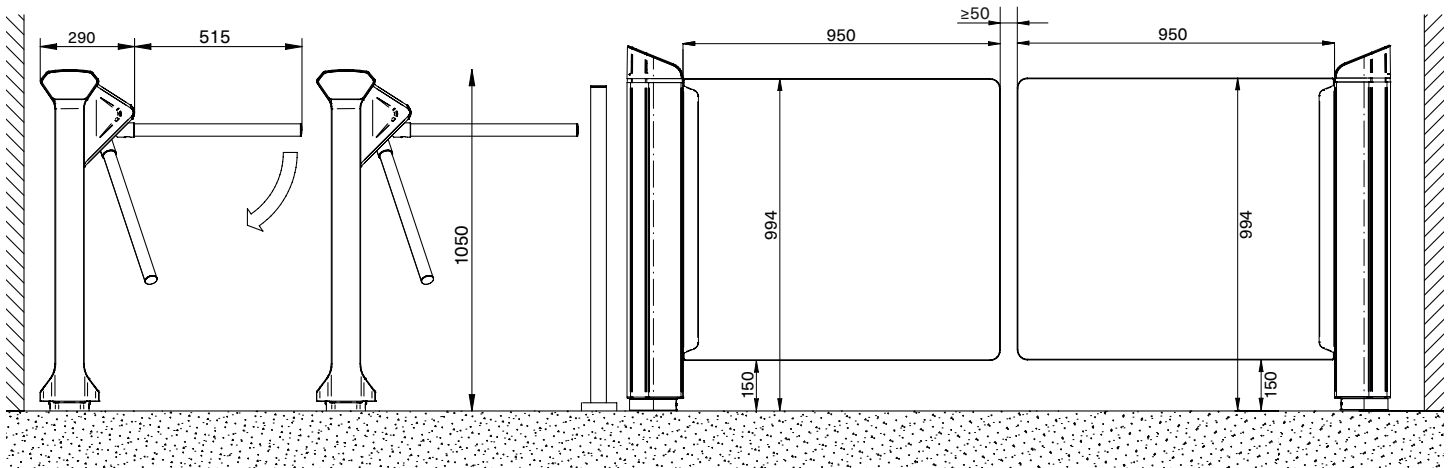
mSwing – top view



mSwing with U bar – top view



Line configuration with mTripod and mSwing as double swing gate



Access to Progress

Magnetic stands for pioneering products – in every way. Our access control systems for vehicles or pedestrians clear the way for thousands of people every day – at car parks, toll gates, stations, airports and in buildings. Our technology is also pioneering, however: with innovative drives, intelligent control systems and well thought-out details it provides maximum safety and longevity. Are you also on the path to Magnetic?



Vehicle barriers

- Access barriers
- Parking barriers
- Toll barriers
- Special barriers



Pedestrian gates

- Turnstiles
- Swing gates
- Tripod gates
- Retractable gates
- Wing gates



Terminals

- Cars
- Trucks