

# MPH

## High swing gates for ticket inspection



### For medium and high security requirements

For access control, steering visitors, and passage into secured areas – MPH wing gates are the ideal solution for the rapid separation of persons when high security is required. Variants with enlarged passageway widths also make the MPH suitable for wheelchairs, prams, and the transport of materials.

Passage takes place without contact. Photoelectric switches reliably detect users and open the wings before they come into contact with them. The barriers close automatically after passage.

The sensitive impact detection of the MHTM™ drive ensures maximum personal safety. In addition, the photoelectric switches contribute towards security: they register the passage of persons attempting to follow through, passage in the wrong direction, or the lack of authorisation, and trigger an alarm.

The wing gates can be used bi-directionally and can be regulated with all common access control systems. The barrier elements are available with toughened or laminated safety glass.



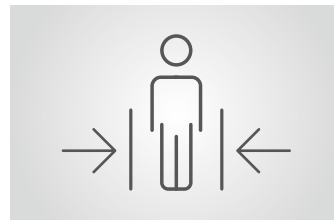
#### Highly reliable separation

The high gate elements prevent climbing over and thus effectively delimit areas from one another. The desired level of security can be individually adapted via differing gate heights.



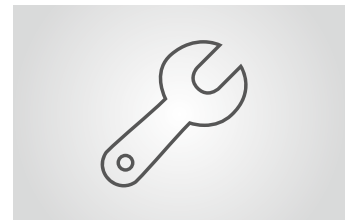
#### Innovative drive technology

The MHTM™ drive unit is maintenance-free, energy-efficient and quiet. Sensitive impact detection ensures maximum personal safety.



#### Reliable processes

Photoelectric switches in the passage reliably detect persons and objects. They enable non-contact passage and trigger an alarm on improper use.



#### Easily accessible components

All the control and drive components necessary for operation are accommodated in the lockable central segment – considerably simplifying commissioning and maintenance.

ACCESS

AFC

IMMIGRATION

BOARDING

# MPH






## High swing gates for AFC

- > Designed for 10 million opening and closing intervals
- > High separation reliability with rapid passage of persons
- > Comfortable non-contact passage
- > Simple integration of all common ticket inspection systems
- > Automatic opening if power fails
- > Wide variants suitable for wheelchairs, prams and material transport



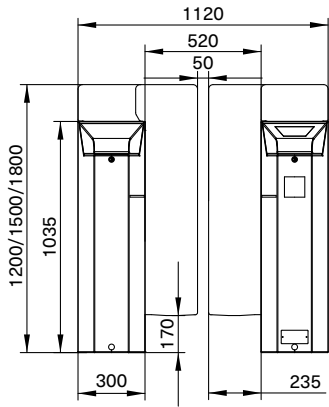
Technical data	MPH 112 (Standard)	MPH 112 (Wide Lane)
Passageway width	520 mm	910 mm
Gate heights	1200, 1500 or 1800 mm	1200, 1500 or 1800 mm
Opening/closing time	0.6 – 1.2 s	1.0 – 1.4 s
Drive technology	MHTM™	MHTM™
Voltage	110 – 240 VAC, 50/60 Hz	110 – 240 VAC, 50/60 Hz
Power consumption	Maximum 100 W	Maximum 300 W
Duty cycle	100 %	100 %
Housing dimensions (L x W x H)	2000 x 300 x 1035 mm	2000 x 520 x 1035 mm
Housing material	Stainless steel 1.4301/SS304	Stainless steel 1.4301/SS304
Enclosure rating	IP 32	IP 32
Temperature range	0 to +45°C	0 to +45°C

Options	
Barrier elements	Toughened or laminated safety glass, gate heights of 1200, 1500 or 1800 mm, customer-specific door element designs through overprints and adhesive foils
Components	Customer-specific card readers and ticket systems, passage indicator (GED), tariff display (concession light), interlocking of barrier elements in voltage-free state
Housings	Customer-specific adaptations

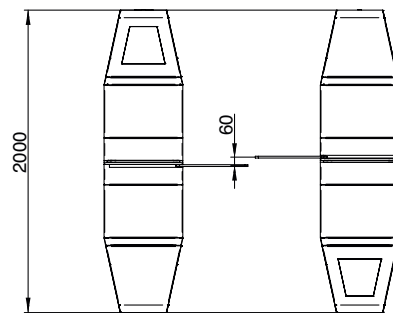
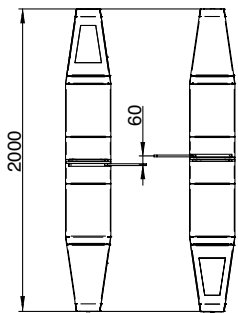
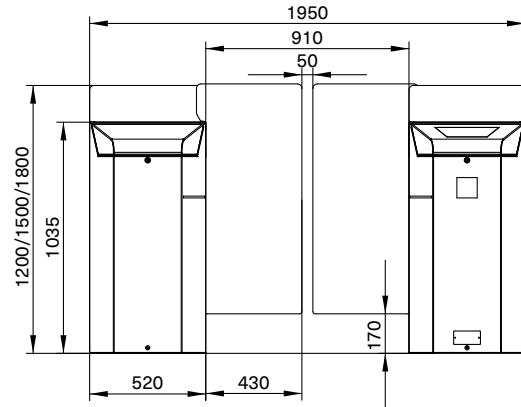
Potential applications				
				

## Dimensional drawings

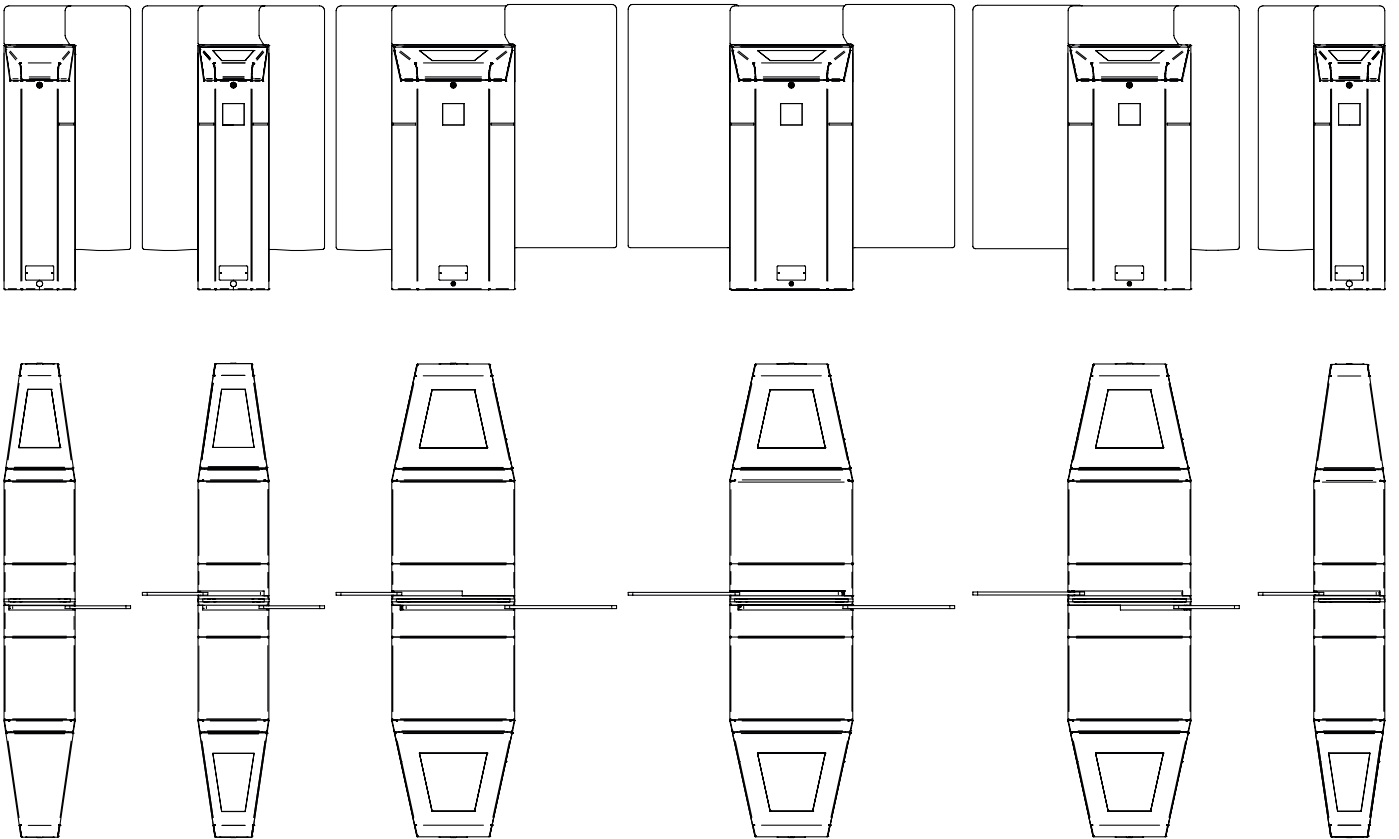
MPH 112 (Standard)  
with 520 mm passageway width



MPH 112 (Wide Lane)  
with 910 mm passageway width



## Line configuration with combinable modules



A wide variety of space-saving applications for pedestrians and wheelchair users can easily be implemented using a combination of modules with wings on one or two sides and with narrow or wide passageways.

# Access to Progress

Magnetic stands for pioneering products – in every way. Our access control systems for vehicles or pedestrians clear the way for thousands of people every day – at car parks, toll gates, stations, airports and in buildings. Our technology is also pioneering, however: with innovative drives, intelligent control systems and well thought-out details it provides maximum safety and longevity. Are you also on the path to Magnetic?



## Vehicle barriers

- Access barriers
- Parking barriers
- Toll barriers
- Special barriers



## Pedestrian gates

- Turnstiles
- Swing gates
- Tripod gates
- Retractable gates
- Wing gates



## Terminals

- Cars
- Trucks