

MPT

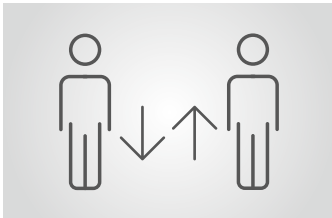
Double Turnstile



For persons in outdoor areas

MPT double turnstiles are the ideal solution for outdoor access control when two passages are required where space is limited. MPT turnstiles can be precisely adapted to your intended purpose thanks to the drive variants offered: the electric motor-driven MPT 152 turnstile is set in motion by means of an energy-efficient, maintenance-free MHTM™ drive unit – the first choice for representative security for outdoor areas and company grounds. The MPT 53 has an electromechanical locking unit and the rotary movement is generated by users themselves – a popular variant at leisure parks and stadiums. Both drive versions can be controlled

by means of all conventional access control systems and can be operated in both throughflow directions as an option. The purely mechanical MPT 50 turnstile only lets visitors pass in one direction and is thus particularly suitable for unmonitored exits at swimming pools and sports facilities. MPT turnstiles can also be individually adapted to your requirements in other ways: with a variety of material options, interlock variants, additional attachments and expansions for bicycles, wheelchairs and the transport of material.



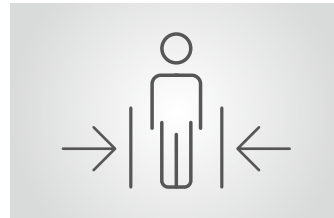
Two passages in one

MPT double turnstiles are the optimum solution when two separate passages need to be set up in the most limited of spaces.



Innovative drive technology

The MHTM™ drive unit (optional) is maintenance-free, energy-efficient, and has an exceptional soft-start action.



Maximum safety

Low impact forces and sensitive contact detection offer optimum protection for users.



Easy access to components

All the components necessary for operation are accommodated in the main beams, considerably simplifying assembly, commissioning and maintenance.

ACCESS

AFC

IMMIGRATION

BOARDING

MPT

Double Turnstile

- > Space-saving double system for two independent passageways
- > Mechanical, electromechanical or motorized designs available
- > Sensitive impact detection for maximum safety
- > Numerous options, e.g. expansion for wheelchair access
- > Designed for 10 million opening and closing actions



| Technical data | MPT 152 3-wing | MPT 152 4-wing | MPT 53 3-wing | MPT 53 4-wing | MPT 50 3-wing | MPT 50 4-wing |
|---------------------------|--------------------------|--------------------------|--------------------------|--------------------------|--------------------------|--------------------------|
| Number of wings (angle) | 3 (120°) | 4 (90°) | 3 (120°) | 4 (90°) | 3 (120°) | 4 (90°) |
| Drive technology | MHTM™ | | electromechanical | | mechanical | |
| Voltage | 110 – 240 VAC, 50/60 Hz | | 110 – 240 VAC, 50/60 Hz | | – | |
| Power consumption | approx. 50 W | | approx. 50 W | | – | |
| Duty cycle | 100 % | | 100 % | | – | |
| Enclosure rating | IP 43 | | IP 43 | | IP 43 | |
| Dimensions (L x W x H) | 2210 x 1318 x 2235 mm | 2071 x 1382 x 2235 mm | 2210 x 1318 x 2235 mm | 2071 x 1382 x 2235 mm | 2210 x 1318 x 2235 mm | 2071 x 1382 x 2235 mm |
| Weight | approx. 450 kg | approx. 450 kg | approx. 450 kg | approx. 450 kg | approx. 450 kg | approx. 450 kg |
| Temperature range | –25 to +55 °C | | –25 to +55 °C | | –25 to +55 °C | |

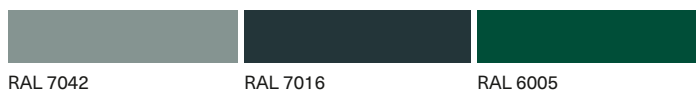
Options

| | |
|---------------------------|---|
| Material | Powder-coated galvanised steel in standard or special colours; stainless steel 1.4751 |
| Reaction to power failure | Free access or auto-locking on power failure |
| Attachments | Extension column, illumination, base frame, base mounting set, roof, gate end display |
| Expansions | Controlled access for bicycles, wheelchairs and the transport of material (MPG 162) |

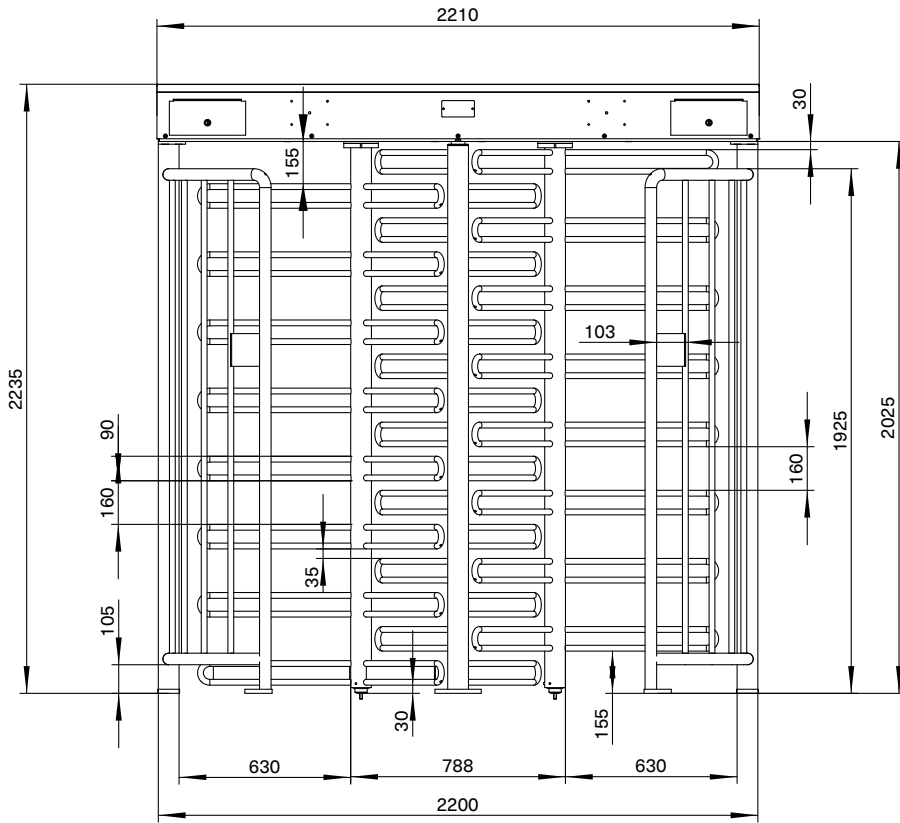
Potential applications



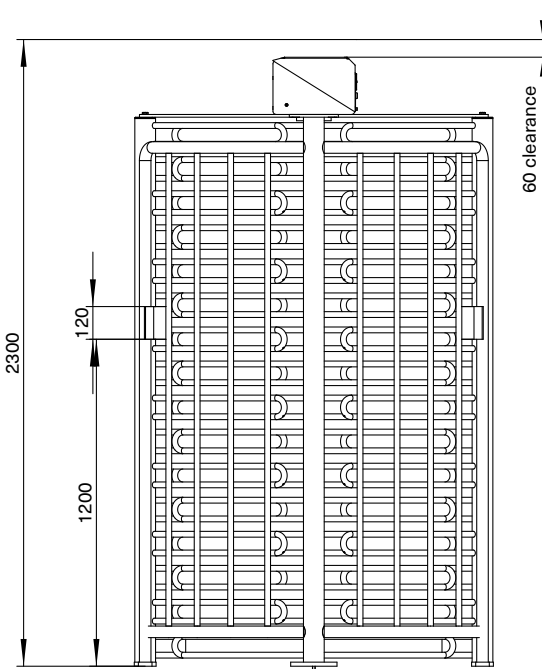
Standard colors



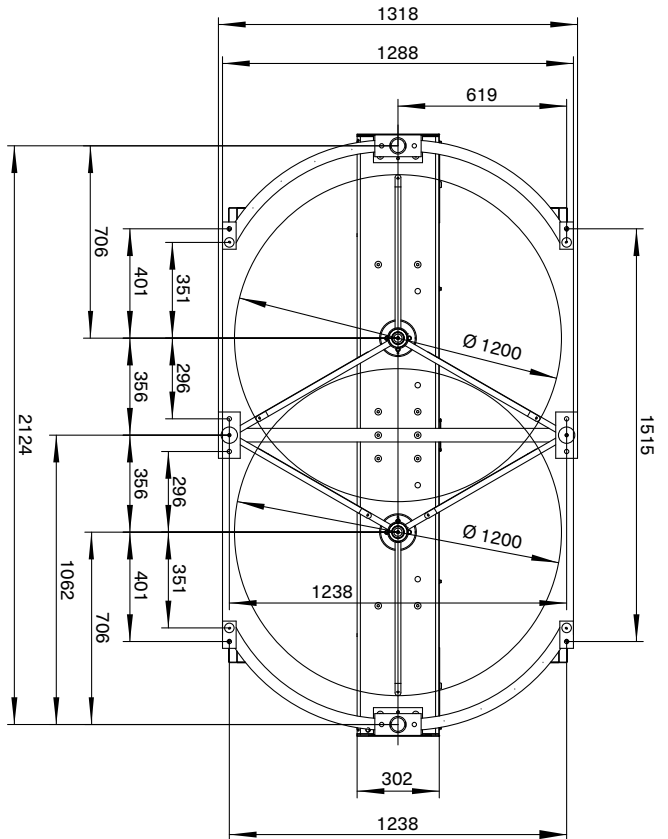
MPT 152/53/50 – 3-wing variants
View from inside



MPT 152/53/50 – 3-wing variants
View from the side



MPT 152/53/50 – 3-wing variants
View from below



Please note that the dimensions of the 4-wing variants differ slightly.

Access to Progress

Magnetic stands for pioneering products – in every way. Our access control systems for vehicles or pedestrians clear the way for thousands of people every day – at car parks, toll gates, stations, airports and in buildings. Our technology is also pioneering, however: with innovative drives, intelligent control systems and well thought-out details it provides maximum safety and longevity. Are you also on the path to Magnetic?



Vehicle barriers

- Access barriers
- Parking barriers
- Toll barriers
- Special barriers



Pedestrian gates

- Turnstiles
- Swing gates
- Tripod gates
- Retractable gates
- Wing gates



Terminals

- Cars
- Trucks