



For persons in outdoor areas

MPT turnstiles are the ideal solution for controlling access outdoors when many people are to enter or leave an area in a short time. MPT turnstiles can be precisely adapted to your intended purpose thanks to the drive variants offered: the electric motor-driven MPT 132 turnstile is set in motion by means of an energy-efficient, maintenance-free MHTM™ drive unit – the first choice for representative security for outdoor areas and company grounds. The MPT 33 has an electromechanical interlock unit and the rotary movement is generated by users themselves – a popular variant at leisure parks and stadiums. Both drive versions can be controlled

by means of all conventional access control systems and can be operated in both throughflow directions as an option. The purely mechanical MPT 30 turnstile only lets visitors pass in one direction and is thus particularly suitable for unmonitored exits at swimming pools and sports facilities. MPT turnstiles can also be individually adapted to your requirements in other ways: with a variety of material options, interlock variants, additional attachments and expansions for bicycles, wheelchairs and the transport of material.



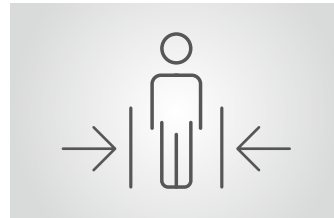
For individual persons

MPT turnstiles are the ideal solution when it is necessary to secure outdoor areas with high rates of pedestrian traffic. Numerous options are available for access control.



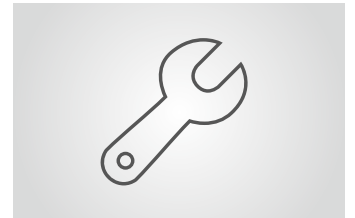
Innovative drive technology

The MHTM™ drive unit (optional) is maintenance-free, energy-efficient, and has an exceptional soft-start action.



Maximum safety

Low impact forces and sensitive contact detection offer optimum protection for users.



Easy access to components

All the components necessary for operation are accommodated in the main beams, considerably simplifying assembly, commissioning and maintenance.

MPT

Turnstile

- > Reliable securing of outdoor areas and company grounds with high rates of pedestrian traffic
- > Mechanical, electromechanical or motorized designs available
- > Sensitive impact detection for maximum safety
- > Numerous options, e.g. expansion for wheelchair access
- > Designed for 10 million opening and closing actions



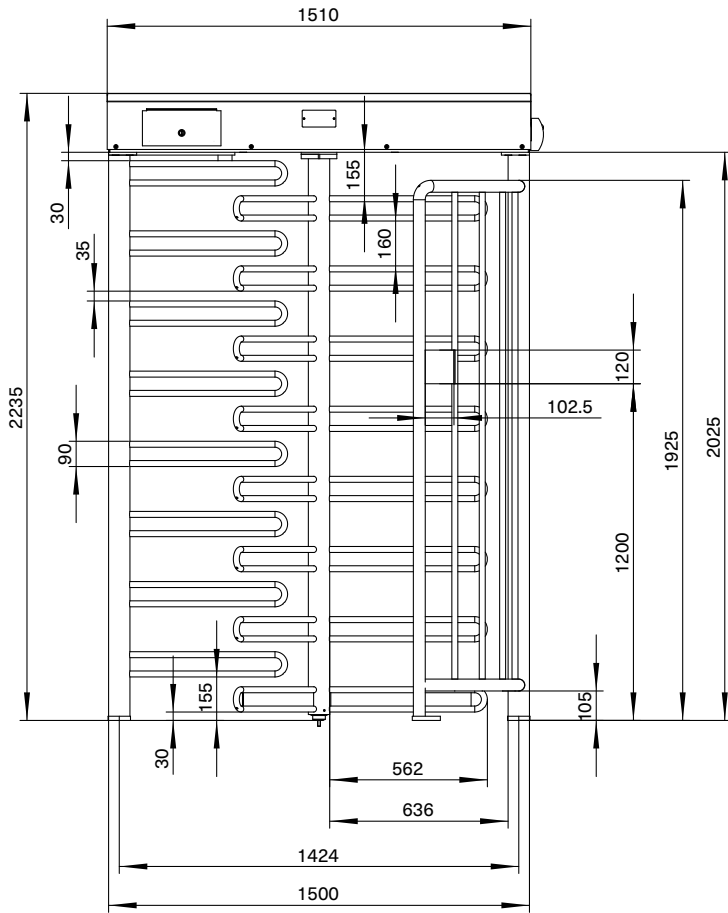
Technical data	MPT 132 3-wing	MPT 132 4-wing	MPT 33 3-wing	MPT 33 4-wing	MPT 30 3-wing	MPT 30 4-wing
Number of wings (angle)	3 (120°)	4 (90°)	3 (120°)	4 (90°)	3 (120°)	4 (90°)
Drive technology	MHTM™		electromechanical		mechanical	
Voltage	110 – 240 VAC, 50/60 Hz		110 – 240 VAC, 50/60 Hz		–	
Power consumption	45 W (without accessories)		70 W (without accessories)		–	
Duty cycle	100 %		100 %		–	
Enclosure rating	IP 43		IP 43		IP 43	
Dimensions (L x W x H)	1510 x 1288 x 2235 mm	1359 x 1076 x 2235 mm	1510 x 1288 x 2235 mm	1359 x 1076 x 2235 mm	1510 x 1288 x 2235 mm	1359 x 1076 x 2235 mm
Weight	approx. 250 kg	approx. 250 kg	approx. 250 kg	approx. 250 kg	approx. 250 kg	approx. 250 kg
Temperature range	–25 to +55 °C		–25 to +55 °C		–25 to +55 °C	

Options	
Material	Powder-coated galvanised steel in standard or special colours; stainless steel 1.4751
Reaction to power failure	Free access or auto-locking on power failure
Attachments	Extension column, illumination, base frame, base mounting set, roof, gate end display
Expansions	Controlled access for bicycles, wheelchairs and the transport of material (MPG 162)

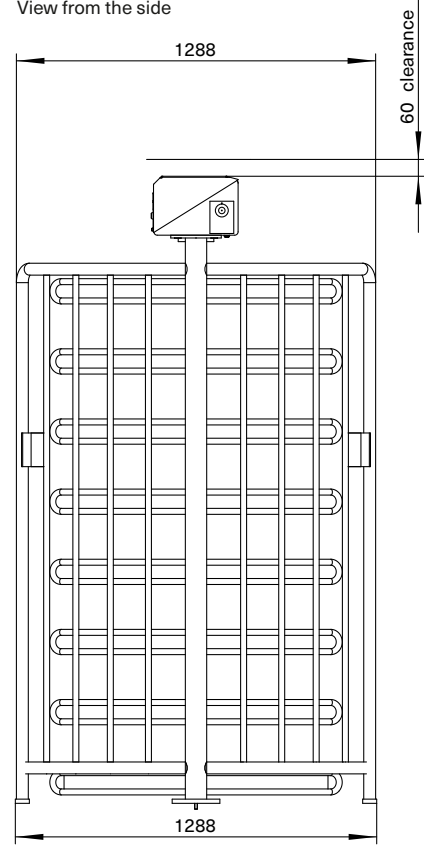
Potential applications	

Standard colors		
RAL 7042	RAL 7016	RAL 6005

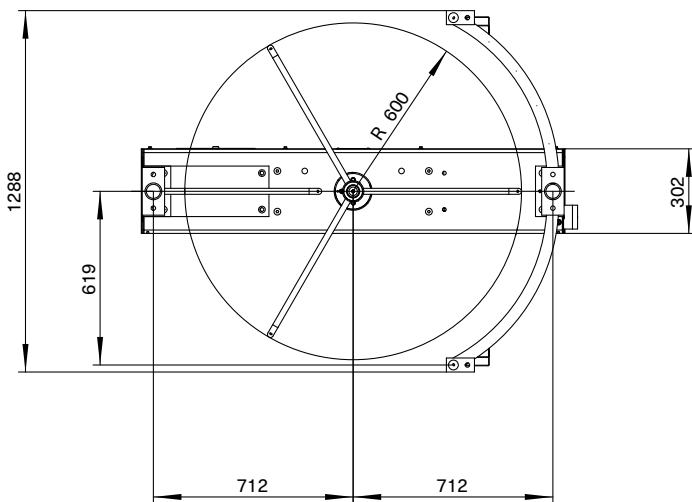
MPT 132/33/30 – 3-wing variants
View from inside



MPT 132/33/30 – 3-wing variants
View from the side



MPT 132/33/30 – 3-wing variants
View from below



Please note that the dimensions of the 4-wing variants differ slightly.

Access to Progress

Magnetic stands for pioneering products – in every way. Our access control systems for vehicles or pedestrians clear the way for thousands of people every day – at car parks, toll gates, stations, airports and in buildings. Our technology is also pioneering, however: with innovative drives, intelligent control systems and well thought-out details it provides maximum safety and longevity. Are you also on the path to Magnetic?



Vehicle barriers

- Access barriers
- Parking barriers
- Toll barriers
- Special barriers



Pedestrian gates

- Turnstiles
- Swing gates
- Tripod gates
- Retractable gates
- Wing gates



Terminals

- Cars
- Trucks